



# Sheet Bending Welding Machine

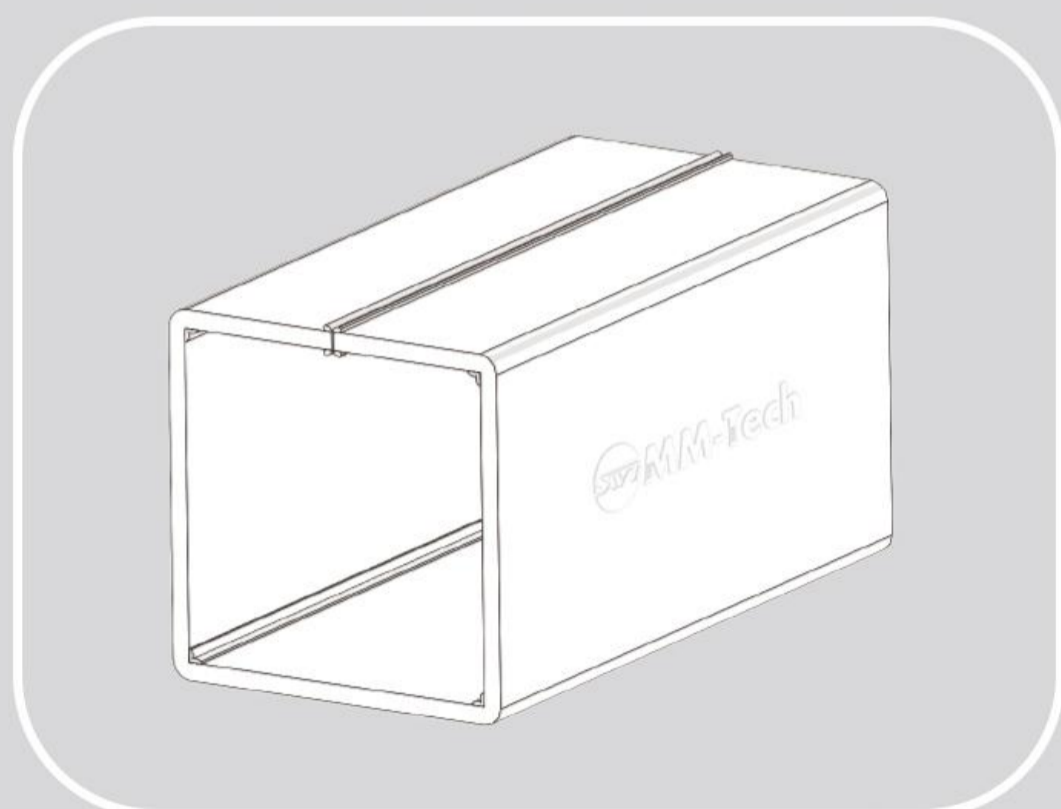
**SWT-ZW Series**



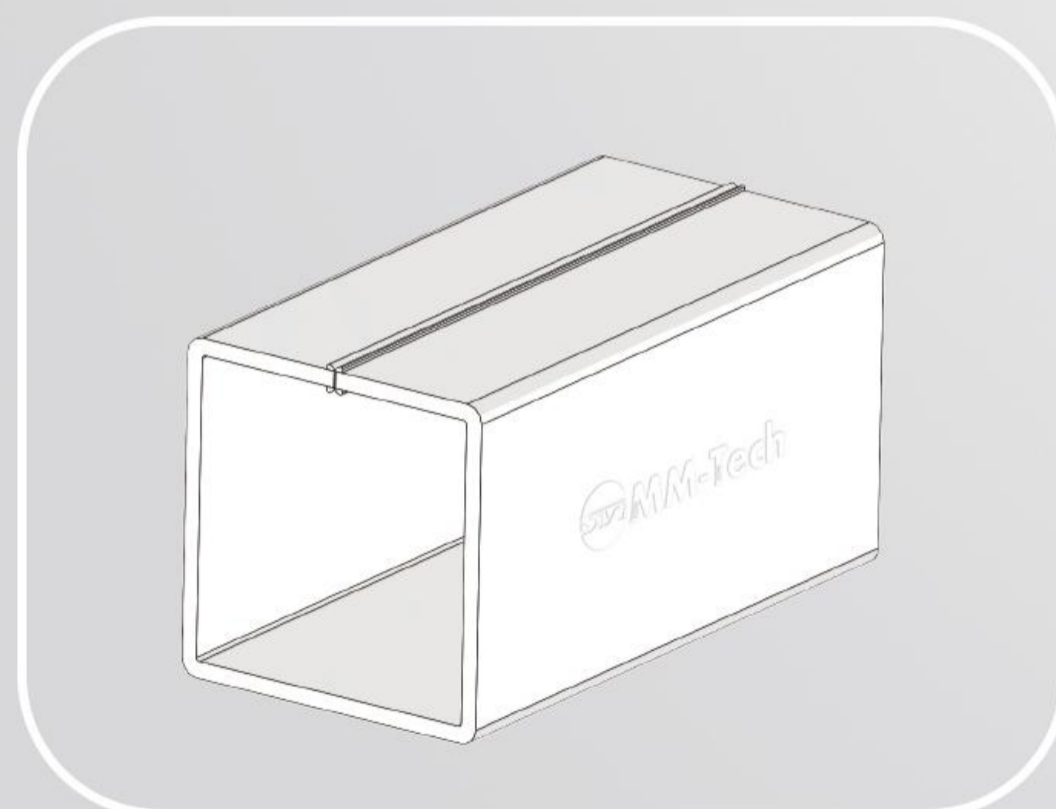
## SWT-ZW SERIES

New steel structure, the mechanical synchronous transmission technology, through the SMC Electric Proportional Valve, pressure in the weld region to achieve uniform.

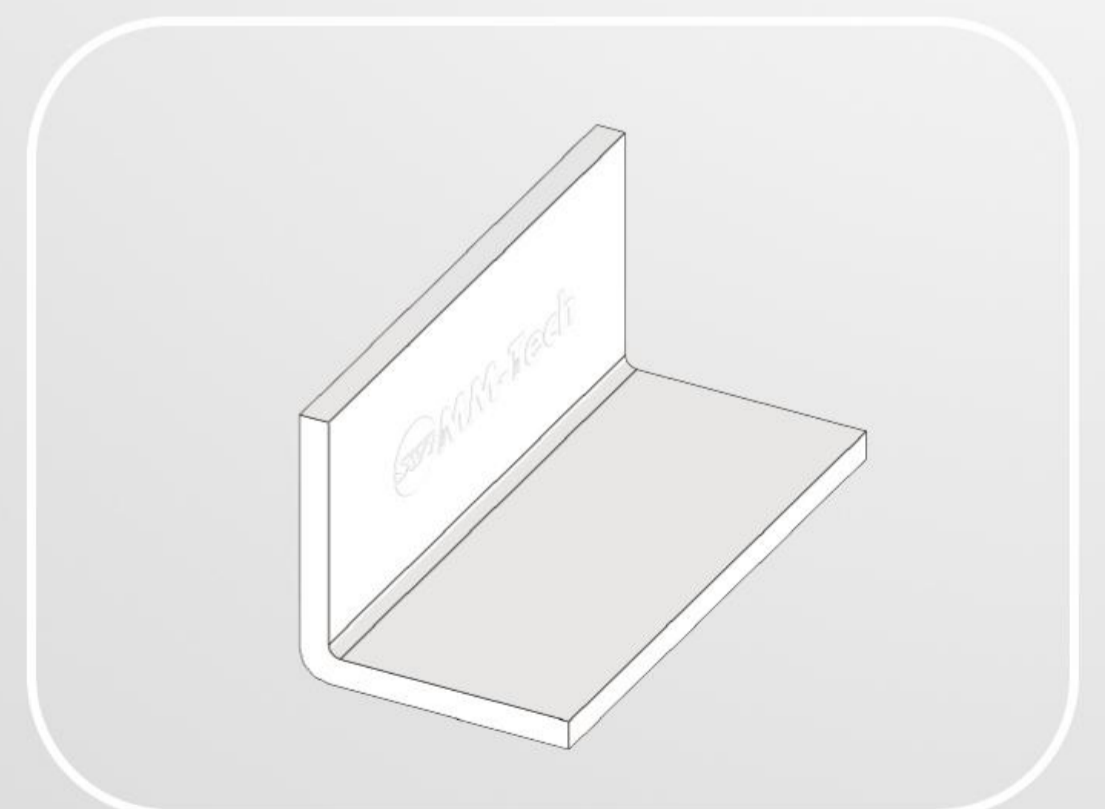
- High-density locking clamps that provide a homogeneous pressure distribution
- Compliant with welding standards DVS 2207. Suitable for all types of thermoplastic sheets (PE, PP, PVC, PVDF, PC, ABS, Acrylic).
- The Control system adopts Siemens / Mitsubishi PLC, with 10-inch touch screen.
- Built-in welding pressure and temperature can be selected according to material type and thickness.
- Weldable thicknesses: 3-50mm, hollow sheet up to 80mm. Bending thickness: 3-25mm.
- LED lights through the entire welding area.



**Bending**  
(Touch Welding)



**Bending**  
(Non-touch Welding)



**0 - 95° Bending**

# SHEET BENDING WELDING MACHINES SWT-ZW2000

This plastic sheet bending machine is suitable for bending thermoplastic sheets made of PE, PP, PVC, PVDF, PC, ABS, Acrylic.



## 1 Basic Functions



0 - 95° Bending by one sheet



## Optional accessories



Optional: Heating Knife for Station 2/3/4

## Features

- ✔ Compliant with the welding standard DVS2207
- ✔ Automatic welding system
- ✔ Hinge connection welding more accurately
- ✔ Pneumatic Locking Clamps
- ✔ Dual digital display thermostat
- ✔ The equipment used the best components of Festo, Siemens, and Schneider Electric
- ✔ Multi-point control clamp lifting
- ✔ Heating Plate Teflon was Coated by Dupont
- ✔ Optional rocker arm device / column device
- ✔ Siemens / Mitsubishi PLC with 10-inch touch screen
- ✔ Bending thickness range 3 - 25 mm

## Specifications

Bending Length	2000mm
Bending Thickness	3-25mm
Weldable Materials	PE, PP, PVC, PVDF, PC, ABS, Acrylic Twin Wall sheets
Power Consumption (KW)	6KW
Bending Angle	0-95° Adjustable
Timing	Yes
Alarming	Buzzing
Sheet Locking Clamps	Pneumatic
Welding System	CNC
Power Supply	AC 380V 1P 50/60Hz
Compressed Air Connection (bar)	6-8 kg/cm <sup>2</sup>
Display	10 inch WEINVIEW
Hardware Control Panel	SIEMENS / MITSUBISHI PLC
Full load Current(A)	14A
Upper Heating Plate Power	2P, 3.0kW
Lower Heating Plate Power	2P, 3.0kW
Power Cable Size	4*2.5mm <sup>2</sup>

# APPLICATION



Plating Tanks



Scrubber



Ventilation Systems



Water Containers



Swimming Pool



Water Tank



Aquaculture



Water Treatment Systems



Tel:+86-311-80662170      Fax:+86-311-68009658

Cell/WhatsApp:+86-13739745191

E-mail: david@peweldingmachine.com

Web: [www.hdpeweldingmachine.com](http://www.hdpeweldingmachine.com)

Add: NO.355, Youyi Street, Qiaoxi District, Shijiazhuang, Hebei, China.